



US00D625022S

(12) **United States Design Patent**  
**Honeycutt**

(10) **Patent No.:** **US D625,022 S**

(45) **Date of Patent:** **\*\* Oct. 5, 2010**

(54) **GANGWAY HANDRAIL**

(57) **CLAIM**

(75) Inventor: **Robert W. Honeycutt**, Pawleys Island, SC (US)

The ornamental design of a gangway handrail, as shown and described.

(73) Assignee: **Safe Rack LLC**, Andrews, SC (US)

(\*\*) Term: **14 Years**

(21) Appl. No.: **29/342,583**

(22) Filed: **Aug. 27, 2009**

(51) **LOC (9) Cl.** ..... **25-02**

(52) **U.S. Cl.** ..... **D25/38; D25/41**

(58) **Field of Classification Search** ..... D25/38,  
D25/41; 14/69.5; 182/113

See application file for complete search history.

(56) **References Cited**

**U.S. PATENT DOCUMENTS**

5,579,864	A *	12/1996	Shorrock	.....	182/113
5,967,258	A *	10/1999	Scott et al.	.....	182/113
D491,672	S *	6/2004	Self et al.	.....	D25/41
D509,905	S *	9/2005	Baker	.....	D25/38
D518,183	S *	3/2006	Hsieh	.....	D25/38
2009/0144916	A1	6/2009	Honeycutt et al.		

**OTHER PUBLICATIONS**

Co-pending U.S. Appl. No. 12/552,811, filed Sep. 2, 2009.

\* cited by examiner

*Primary Examiner*—Doris Clark

(74) *Attorney, Agent, or Firm*—Nelson Mullins Riley & Scarborough LLP

**DESCRIPTION**

FIG. 1 is a perspective view of a gangway handrail in accordance with an embodiment of the present invention;

FIG. 2 is a side elevation view of the gangway handrail of FIG. 1;

FIG. 3 is a top plan view of the gangway handrail of FIG. 1;

FIG. 4 is a front elevation view of the gangway handrail of FIG. 1;

FIG. 5 is a rear elevation view of the gangway handrail of FIG. 1;

FIG. 6 is a bottom plan view of the gangway handrail of FIG. 1;

FIG. 7 is a perspective view of a gangway handrail in accordance with a second embodiment of the present invention;

FIG. 8 is a side elevation view of the gangway handrail of FIG. 7;

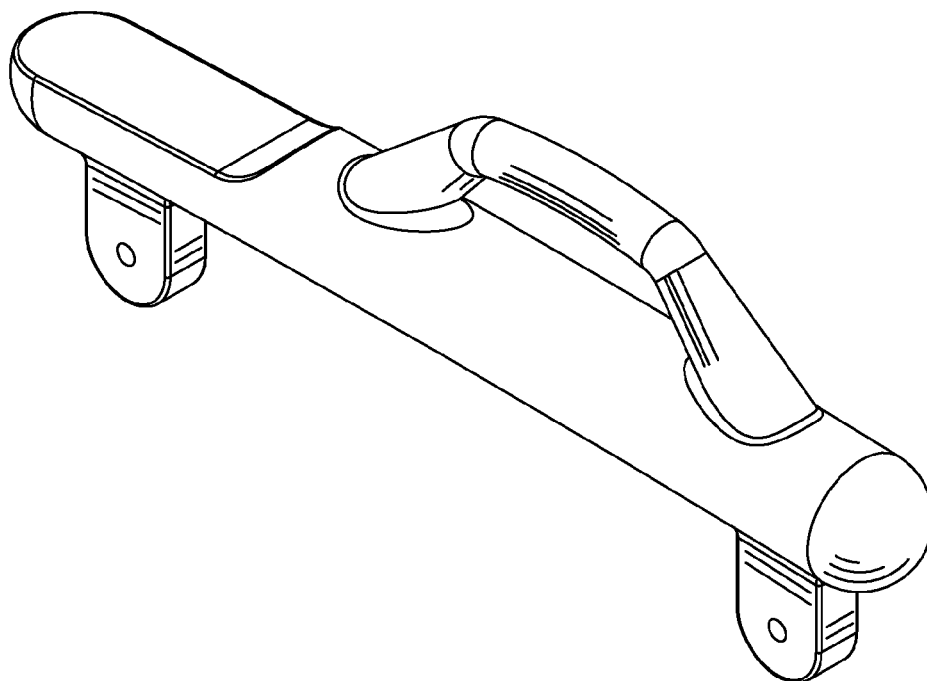
FIG. 9 is a top plan view of the gangway handrail of FIG. 7;

FIG. 10 is a front elevation view of the gangway handrail of FIG. 7;

FIG. 11 is a rear elevation view of the gangway handrail of FIG. 7; and,

FIG. 12 is a bottom plan view of the gangway handrail of FIG. 7.

**1 Claim, 12 Drawing Sheets**



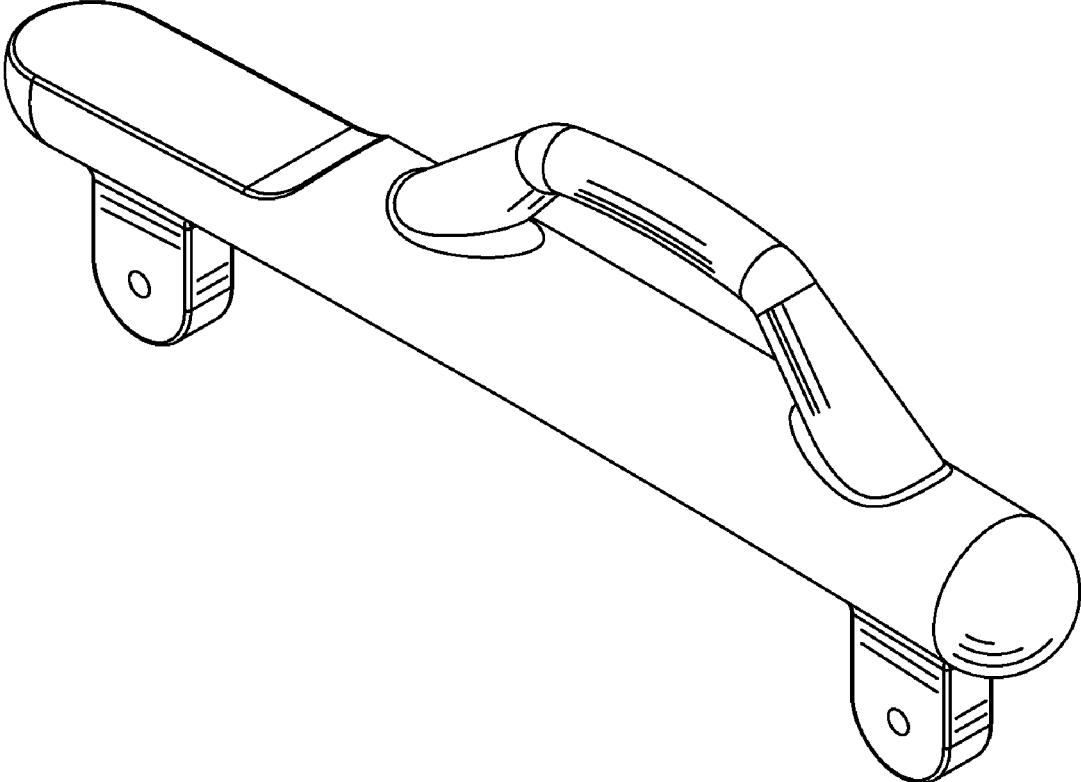


Fig. 1

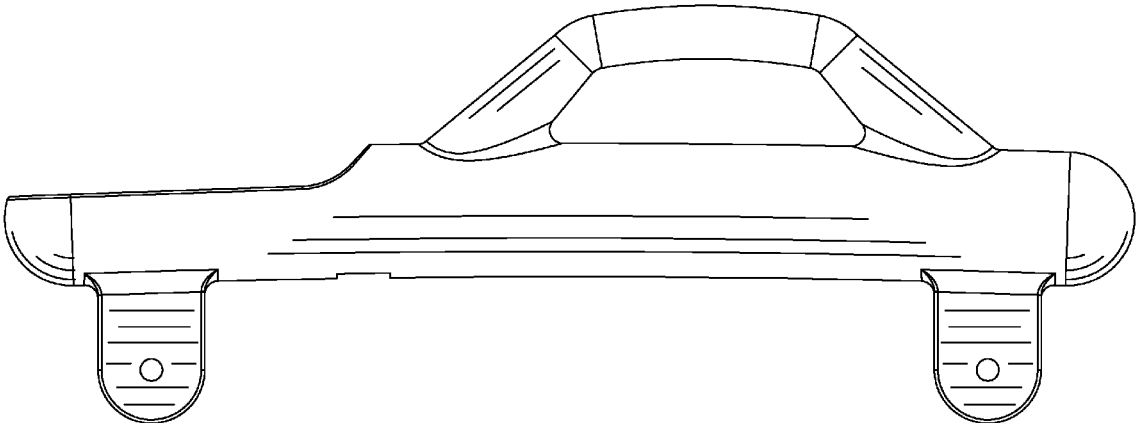


Fig. 2

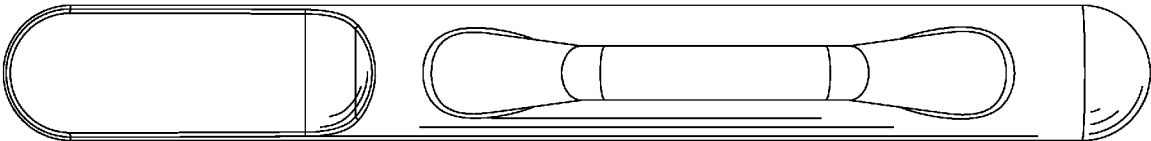


Fig. 3

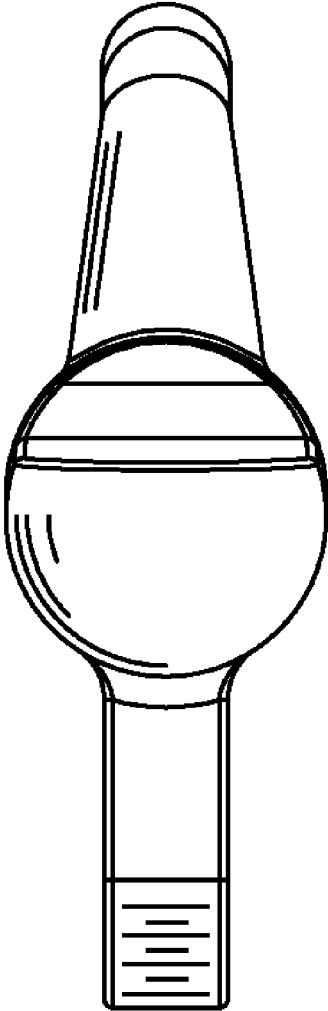


Fig. 4

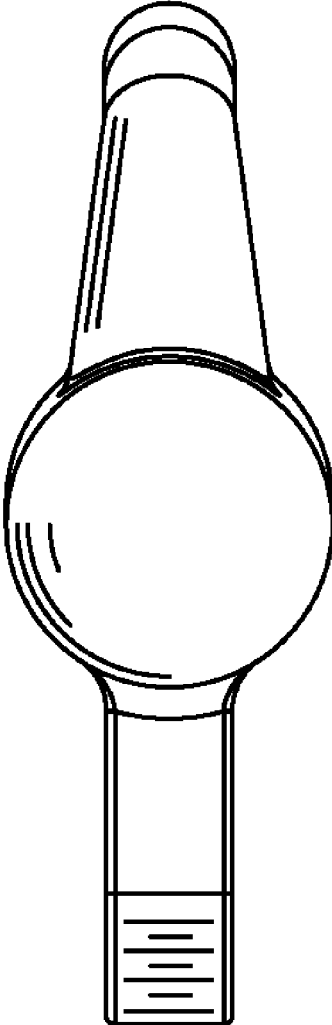


Fig. 5

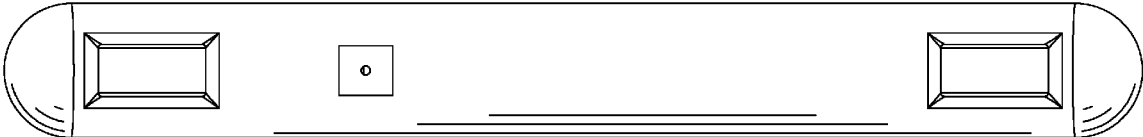


Fig. 6

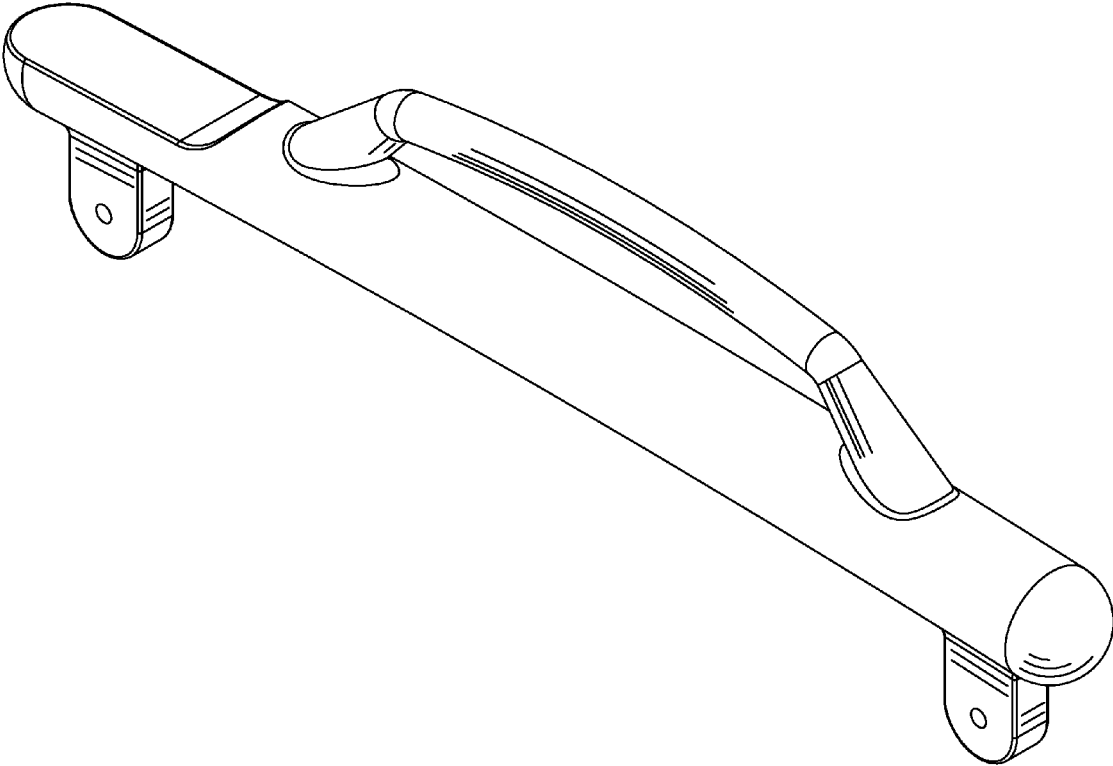


Fig. 7



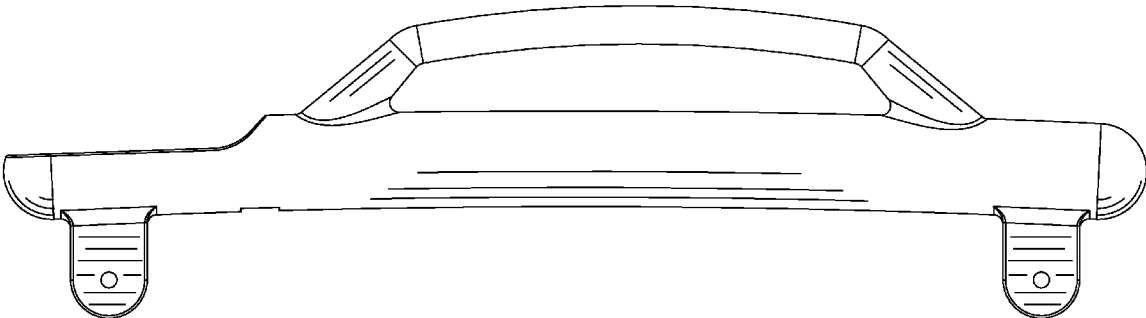


Fig. 8

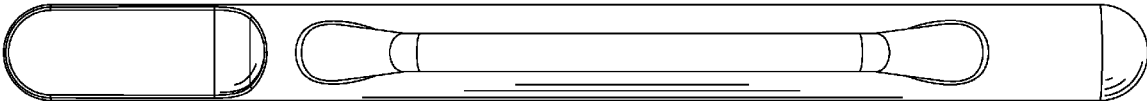


Fig. 9

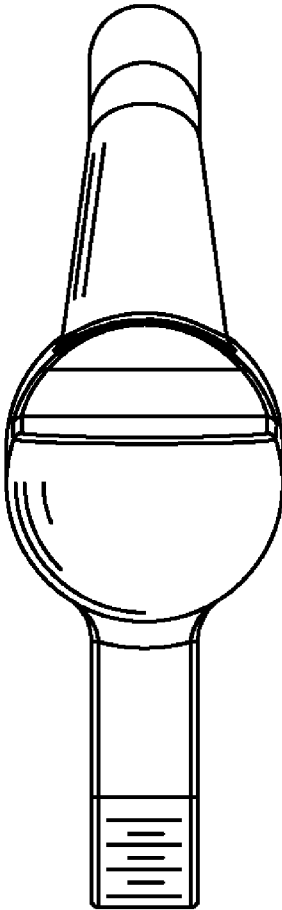


Fig. 10

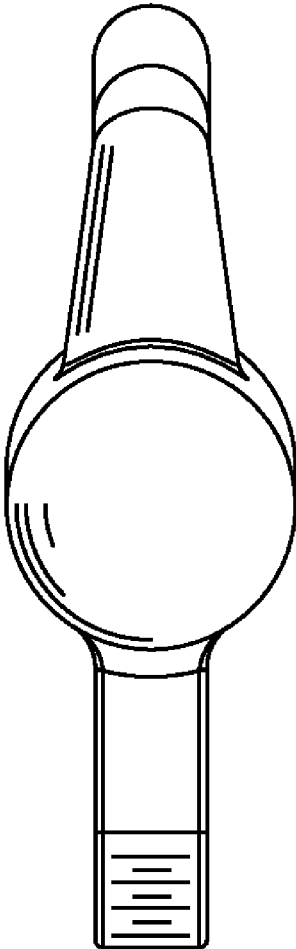


Fig. 11



Fig. 12