



(12) **United States Design Patent**
Honeycutt

(10) **Patent No.:** **US D636,895 S**
(45) **Date of Patent:** **** Apr. 26, 2011**

- (54) **GANGWAY HANDRAIL**
- (75) Inventor: **Robert W. Honeycutt**, Pawleys Island, SC (US)
- (73) Assignee: **Safe Rack LLC**, Andrews, SC (US)
- (**) Term: **14 Years**
- (21) Appl. No.: **29/376,217**
- (22) Filed: **Oct. 4, 2010**

Related U.S. Application Data

- (62) Division of application No. 29/342,583, filed on Aug. 27, 2009, now Pat. No. Des. 625,022.
 - (51) **LOC (9) Cl.** **25-02**
 - (52) **U.S. Cl.** **D25/38; D25/41**
 - (58) **Field of Classification Search** D25/38, D25/41; 14/69.5; 182/113
- See application file for complete search history.

References Cited

U.S. PATENT DOCUMENTS

5,579,864	A *	12/1996	Shorrock	182/113
5,967,258	A *	10/1999	Scott et al.	182/113
D491,672	S *	6/2004	Self et al.	D25/41
D509,905	S *	9/2005	Baker	D25/38
D518,183	S *	3/2006	Hsieh	D25/38
2009/0144916	A1	6/2009	Honeycutt	

OTHER PUBLICATIONS

Copending U.S. Appl. No. 12/552,811, filed on Sep. 2, 2009.

* cited by examiner

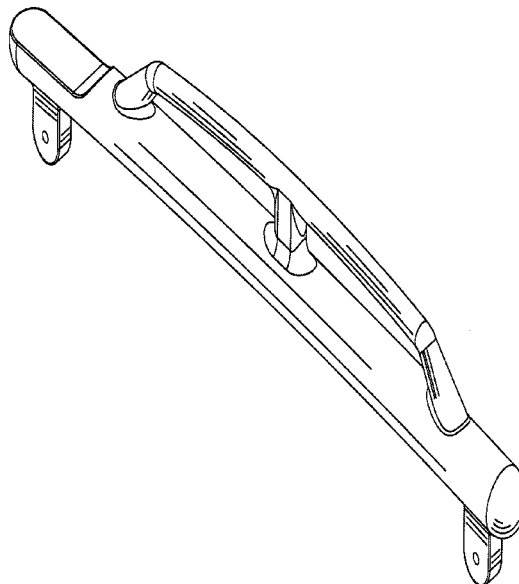
Primary Examiner — Doris Clark
(74) *Attorney, Agent, or Firm* — Nelson Mullins Riley & Scarborough, LLP

(57) **CLAIM**
I claim the ornamental design for a gangway handrail, as shown and described.

DESCRIPTION

FIG. 1 is a perspective view of a gangway handrail in accordance with an embodiment of the present invention; FIG. 2 is a side elevation view of the gangway handrail of FIG. 1; FIG. 3 is a top plan view of the gangway handrail of FIG. 1; FIG. 4 is a front elevation view of the gangway handrail of FIG. 1; FIG. 5 is a rear elevation view of the gangway handrail of FIG. 1; FIG. 6 is a bottom plan view of the gangway handrail of FIG. 1; FIG. 7 is a perspective view of a gangway handrail in accordance with a second embodiment of the present invention; FIG. 8 is a side elevation view of the gangway handrail of FIG. 7; FIG. 9 is a top plan view of the gangway handrail of FIG. 7; FIG. 10 is a front elevation view of the gangway handrail of FIG. 7; FIG. 11 is a rear elevation view of the gangway handrail of FIG. 7; FIG. 12 is a bottom plan view of the gangway handrail of FIG. 7; FIG. 13 is a perspective view of a gangway handrail in accordance with a third embodiment of the present invention; FIG. 14 is a side elevation view of the gangway handrail of FIG. 13; FIG. 15 is a top plan view of the gangway handrail of FIG. 13; FIG. 16 is a front elevation view of the gangway handrail of FIG. 13; FIG. 17 is a rear elevation view of the gangway handrail of FIG. 13; and, FIG. 18 is a bottom plan view of the gangway handrail of FIG. 13.

1 Claim, 18 Drawing Sheets



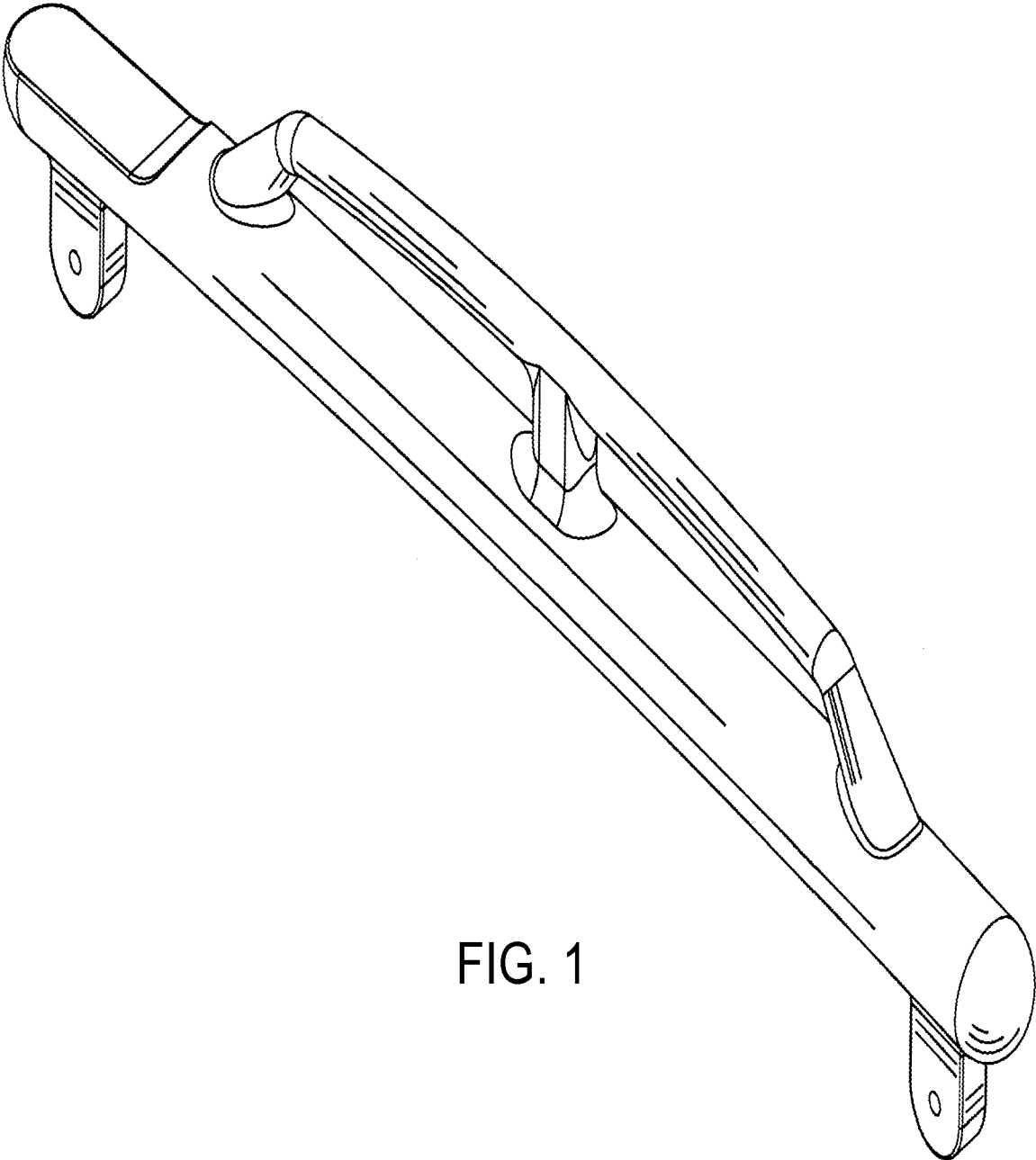


FIG. 1

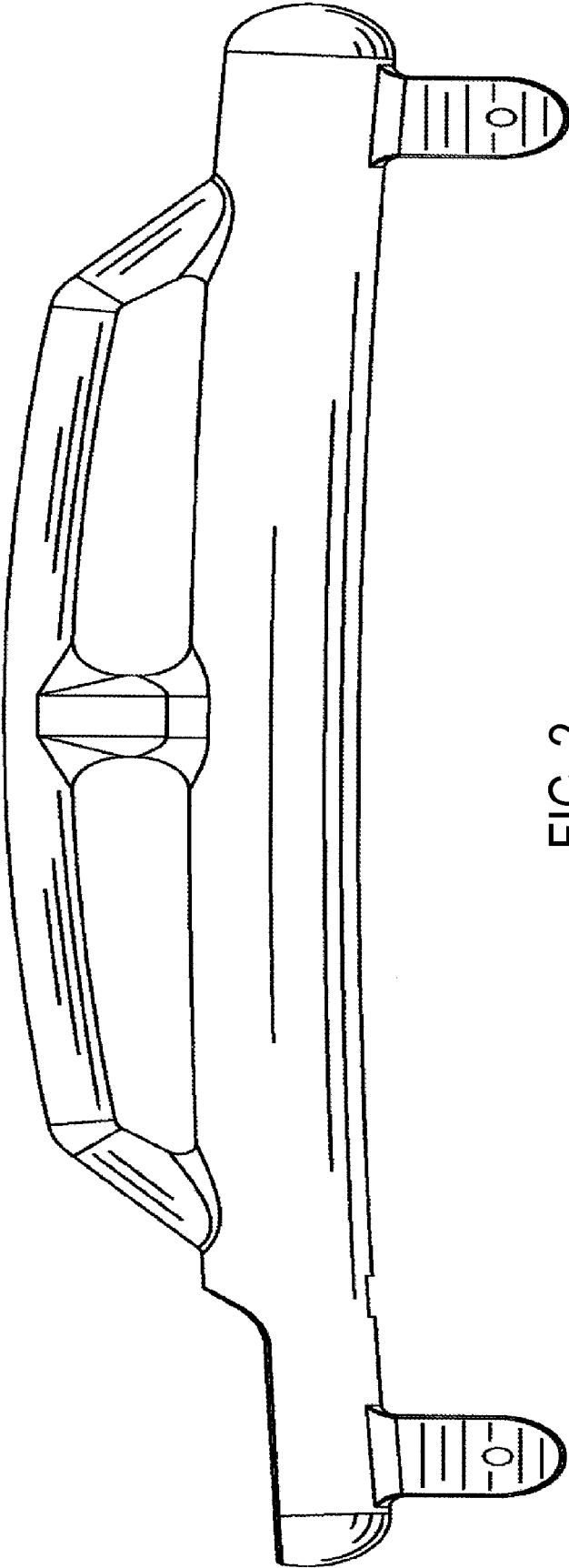


FIG. 2

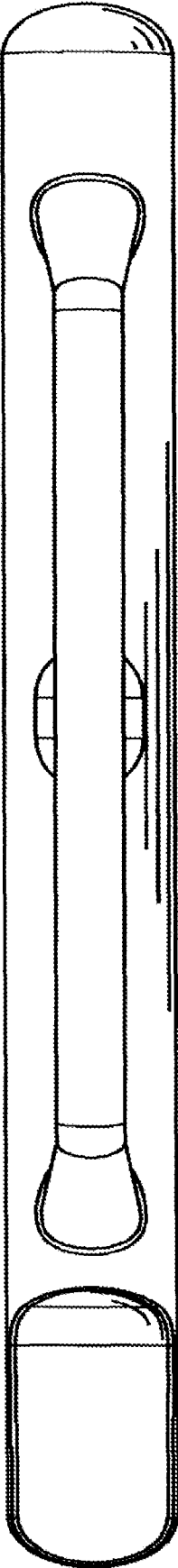


FIG. 3

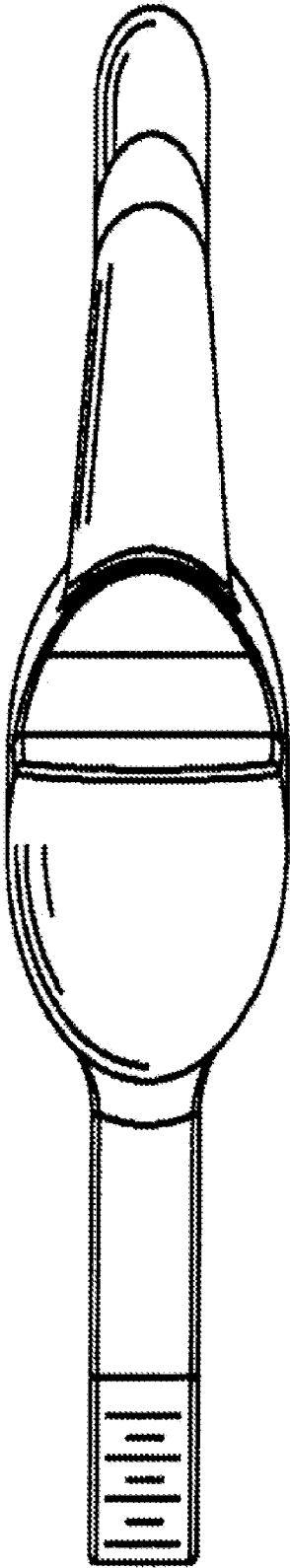


FIG. 4

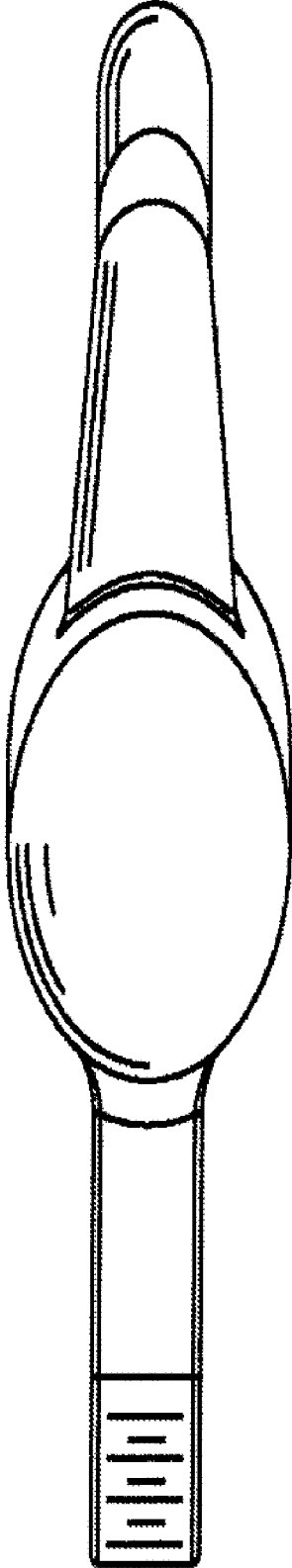


FIG. 5

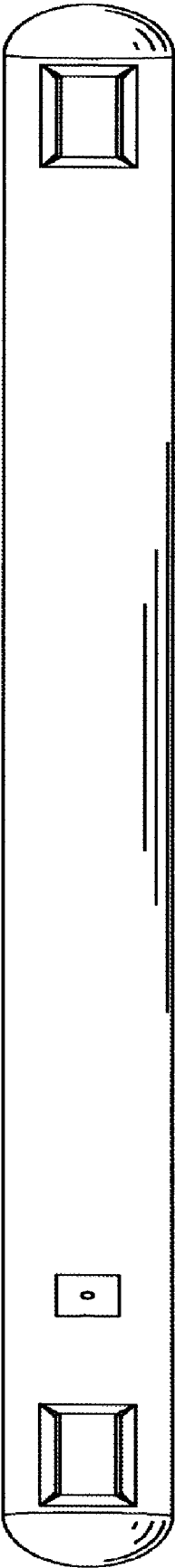


FIG. 6

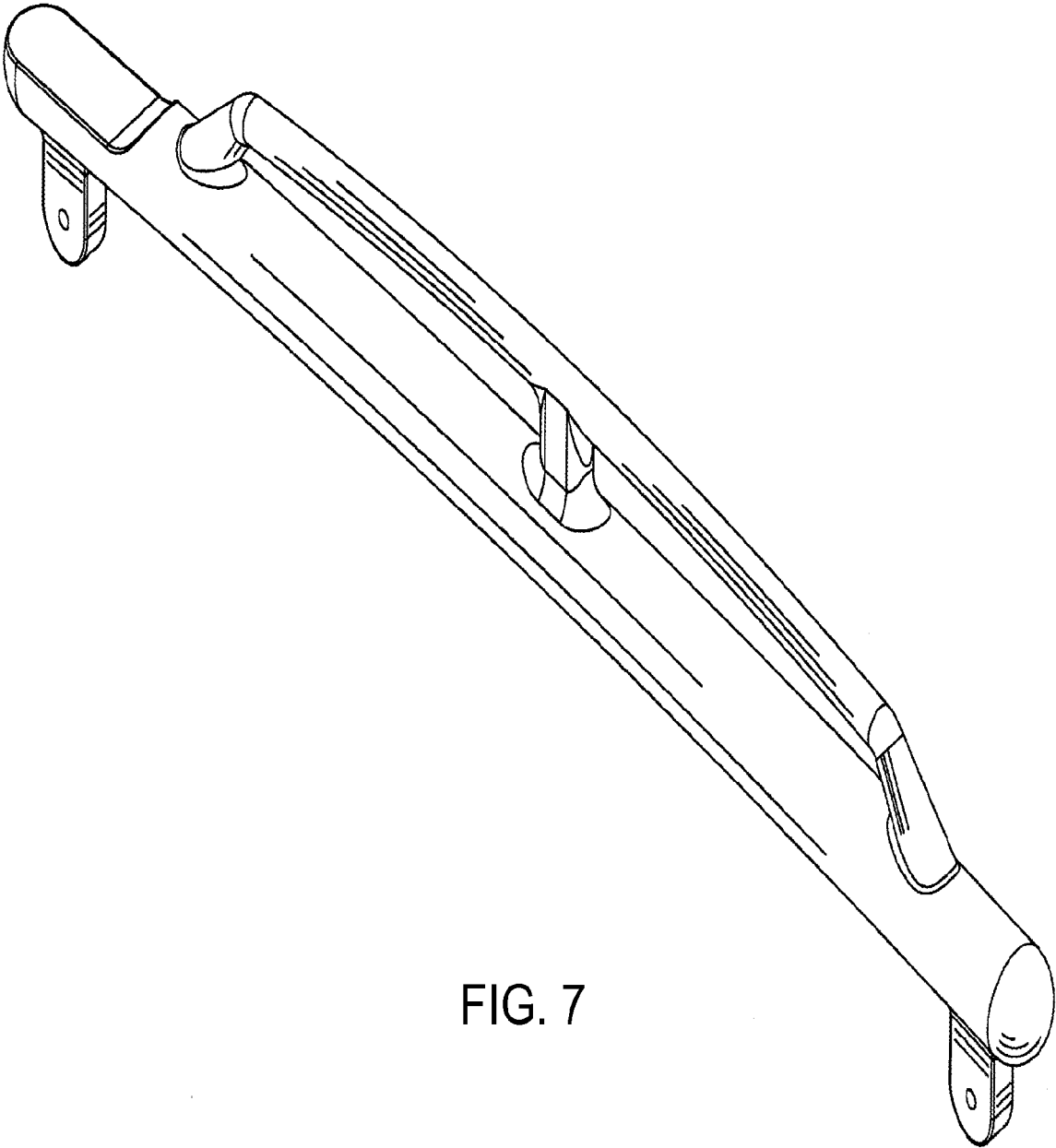


FIG. 7

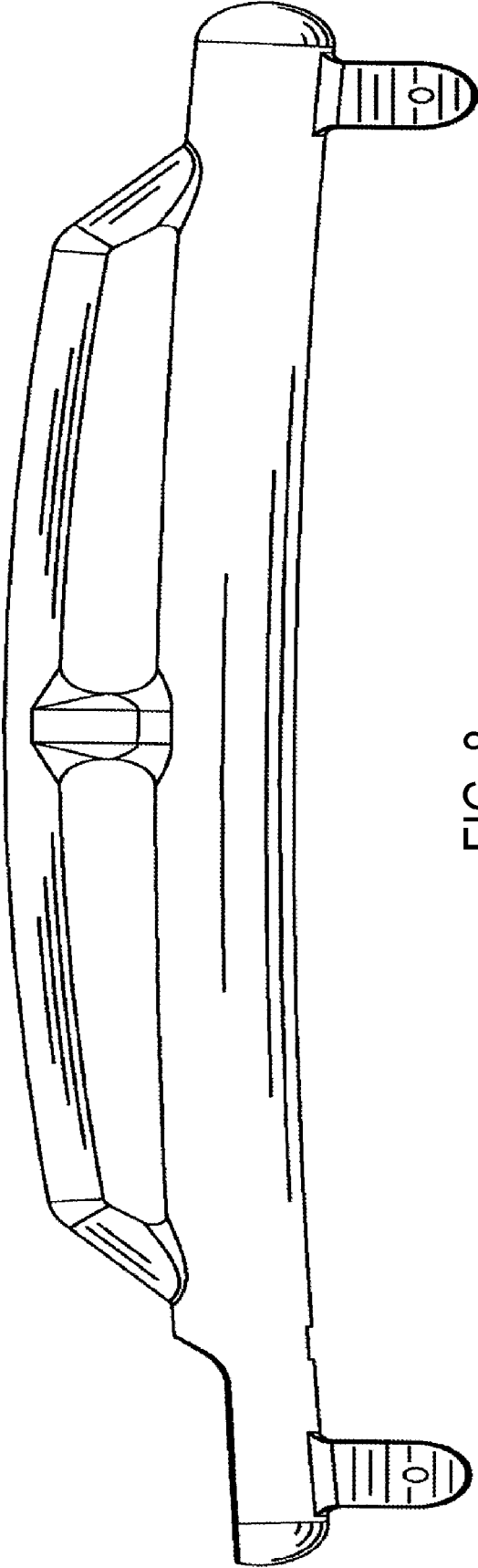


FIG. 8

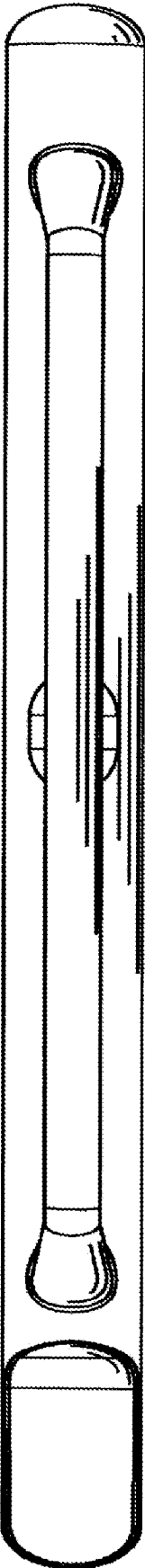


FIG. 9

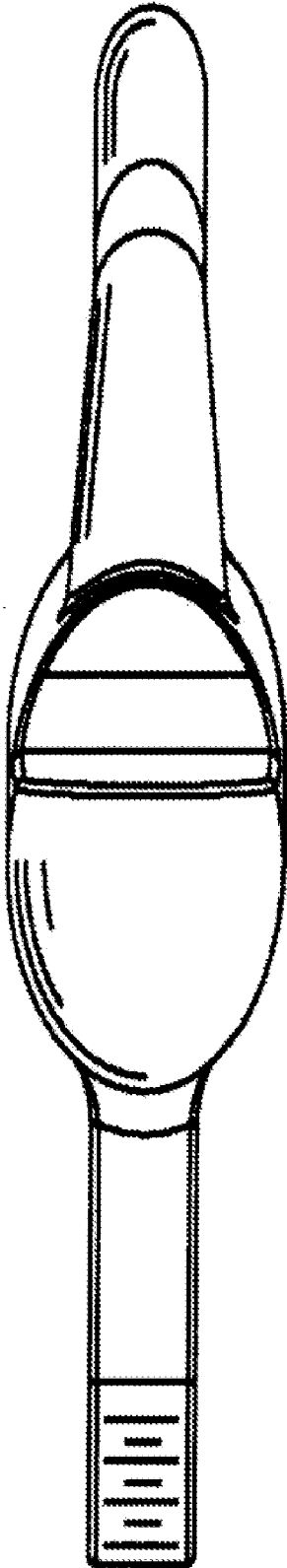


FIG. 10



FIG. 11

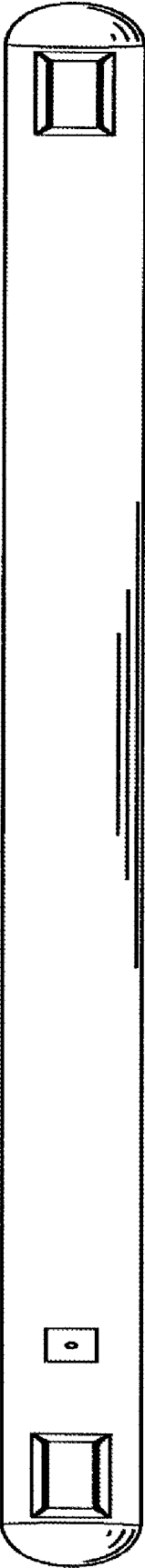


FIG. 12

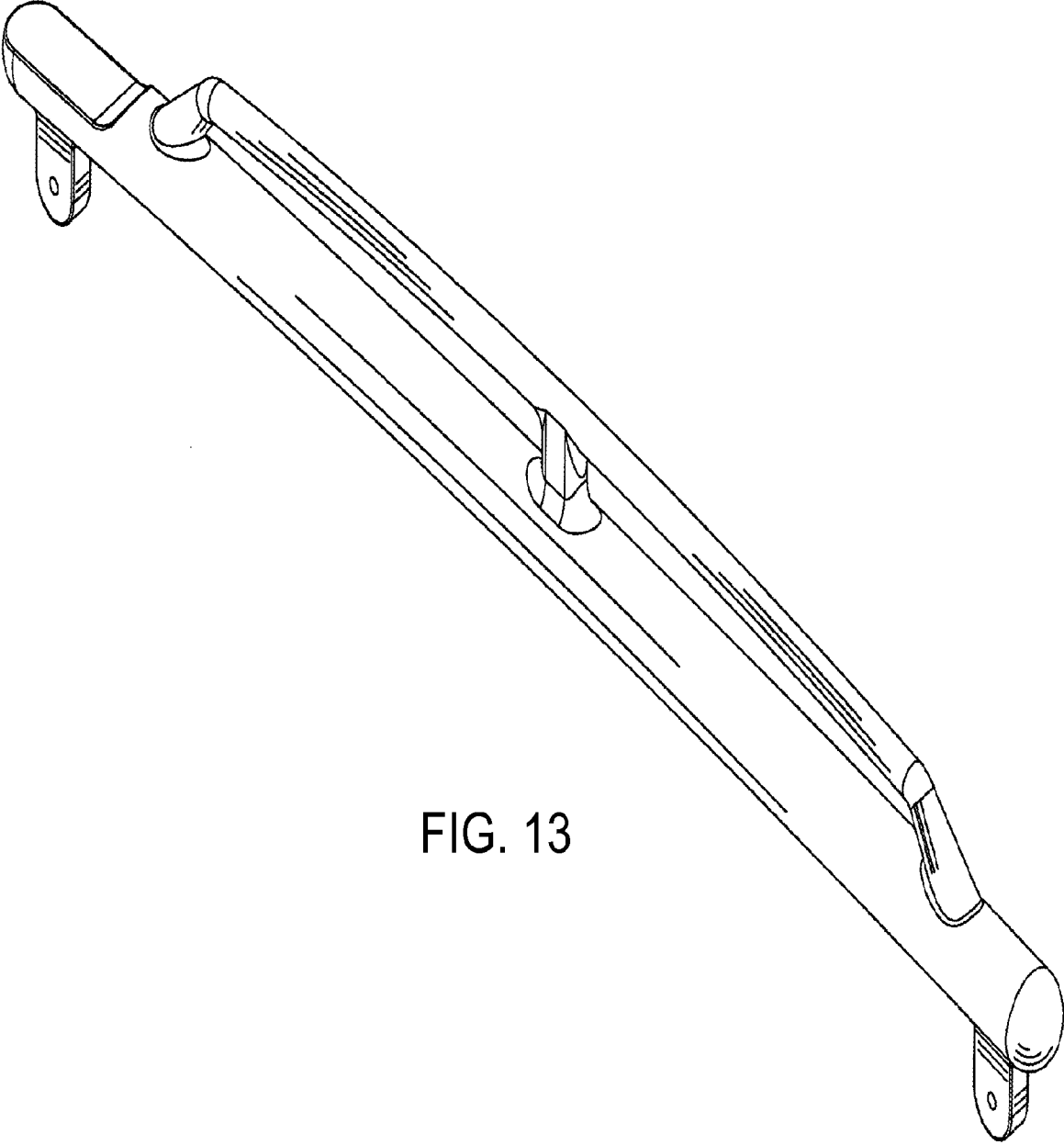


FIG. 13

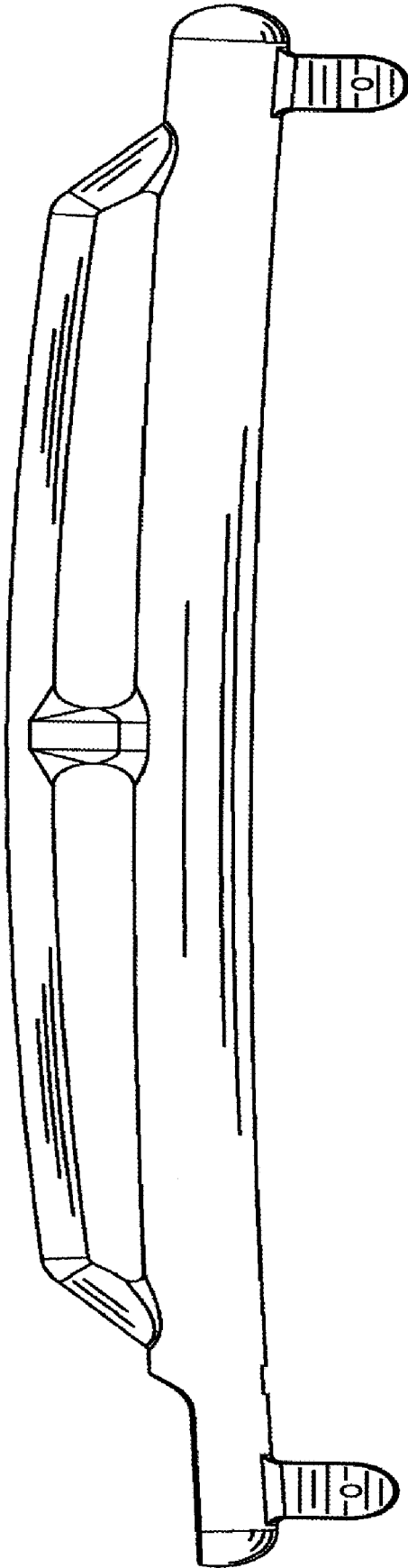


FIG. 14

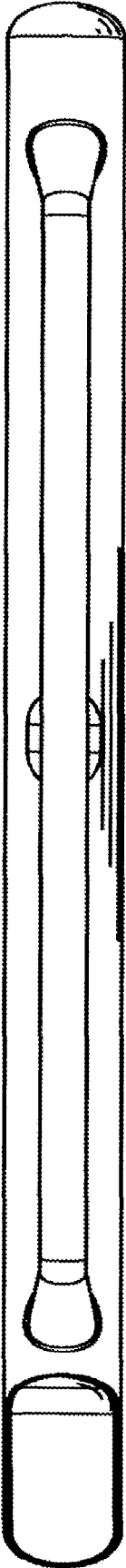


FIG. 15

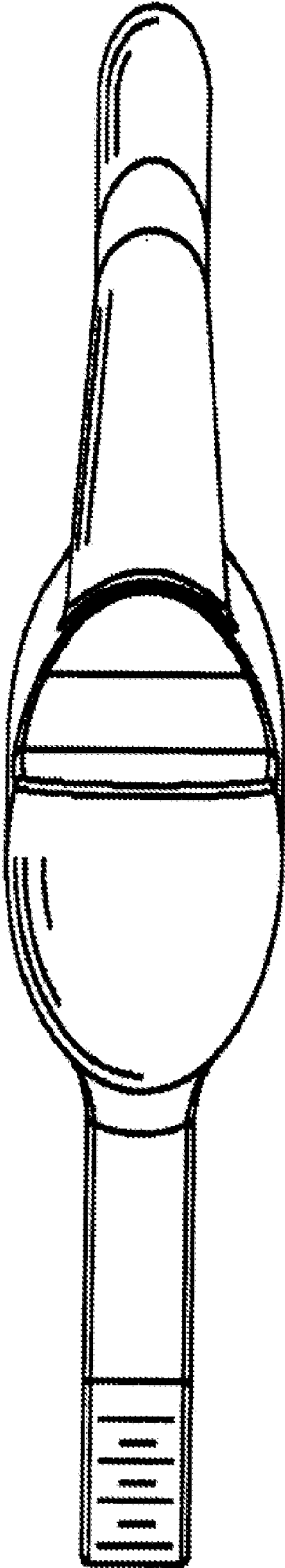


FIG. 16

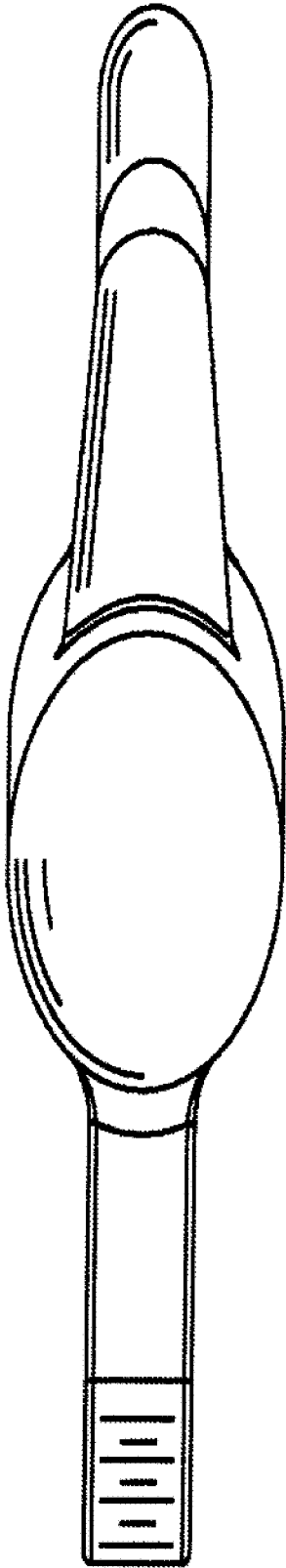


FIG. 17

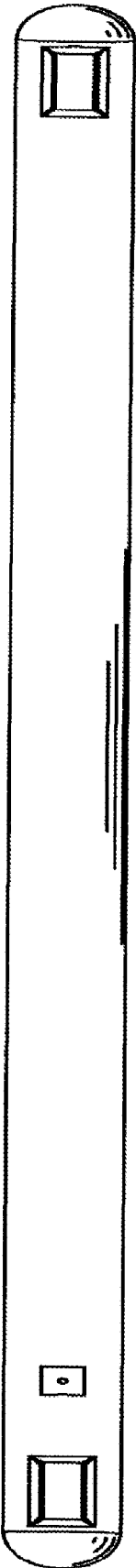


FIG. 18